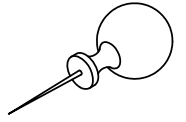
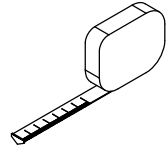
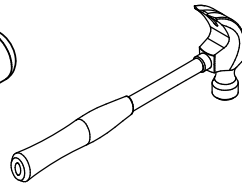
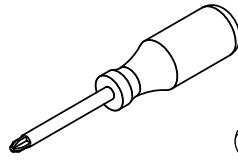
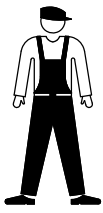
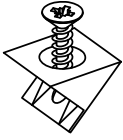


**71082** C





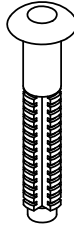
10401  
x8



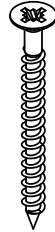
20203  
x14



20228  
x4



25266  
x1



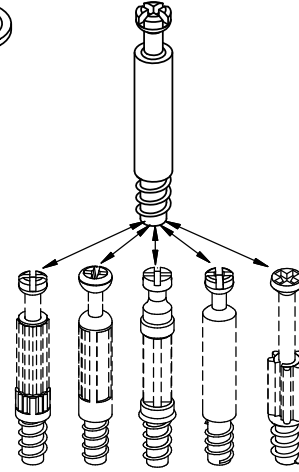
26020  
x4



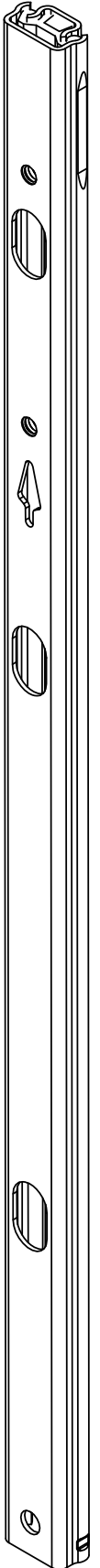
26214  
x2



31513  
x10



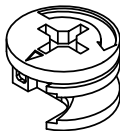
41407  
x2



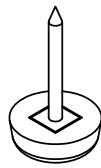
31631  
x2

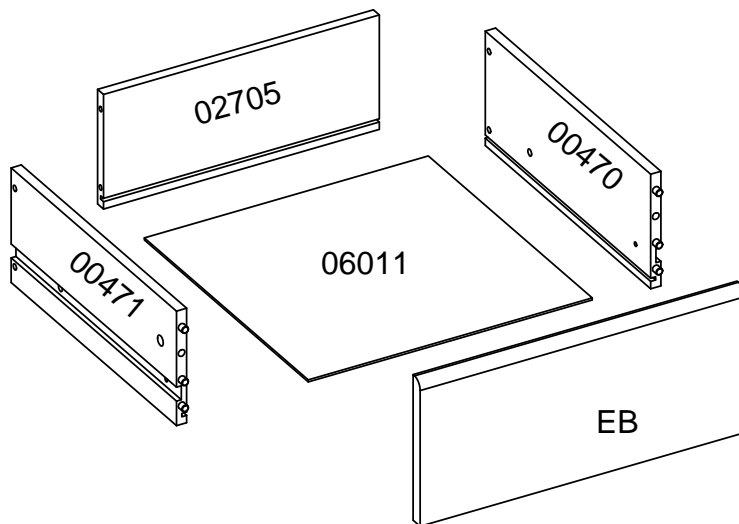
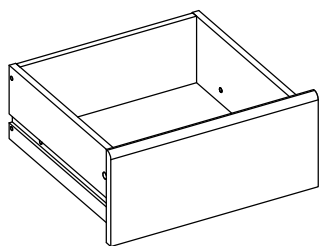
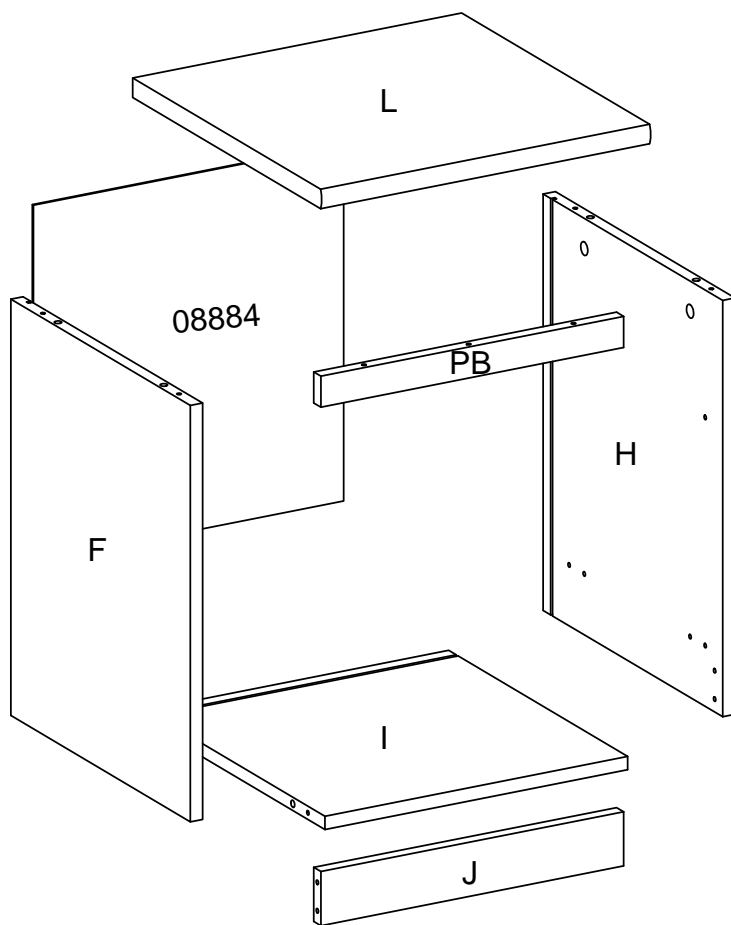
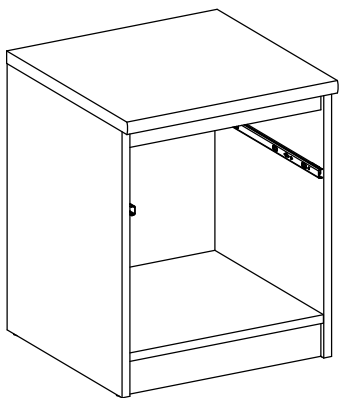


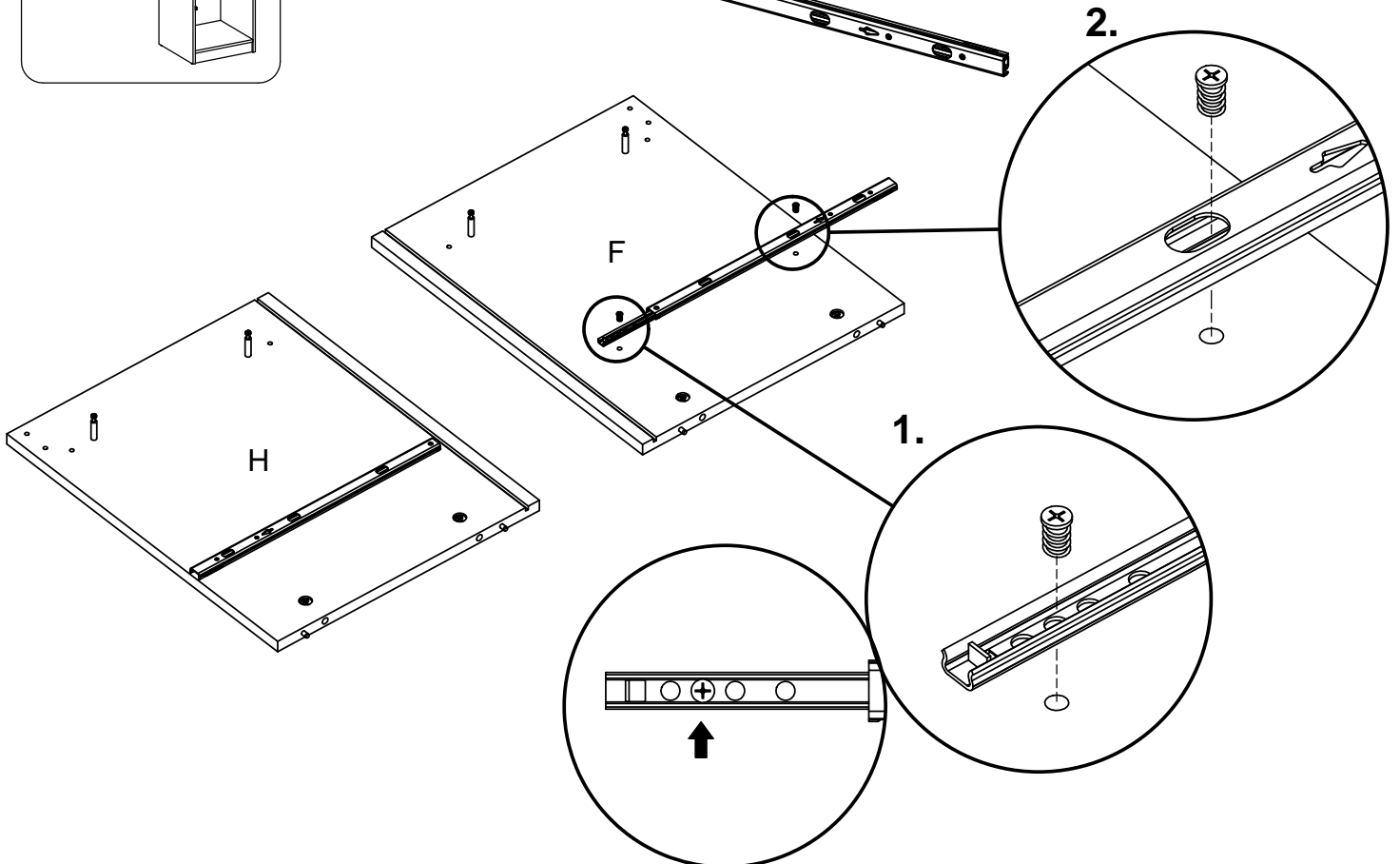
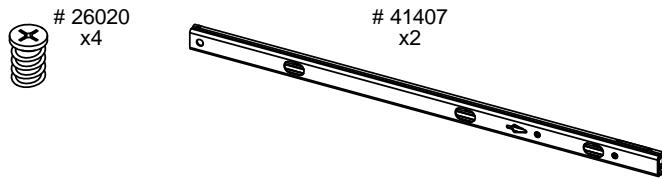
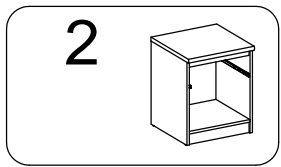
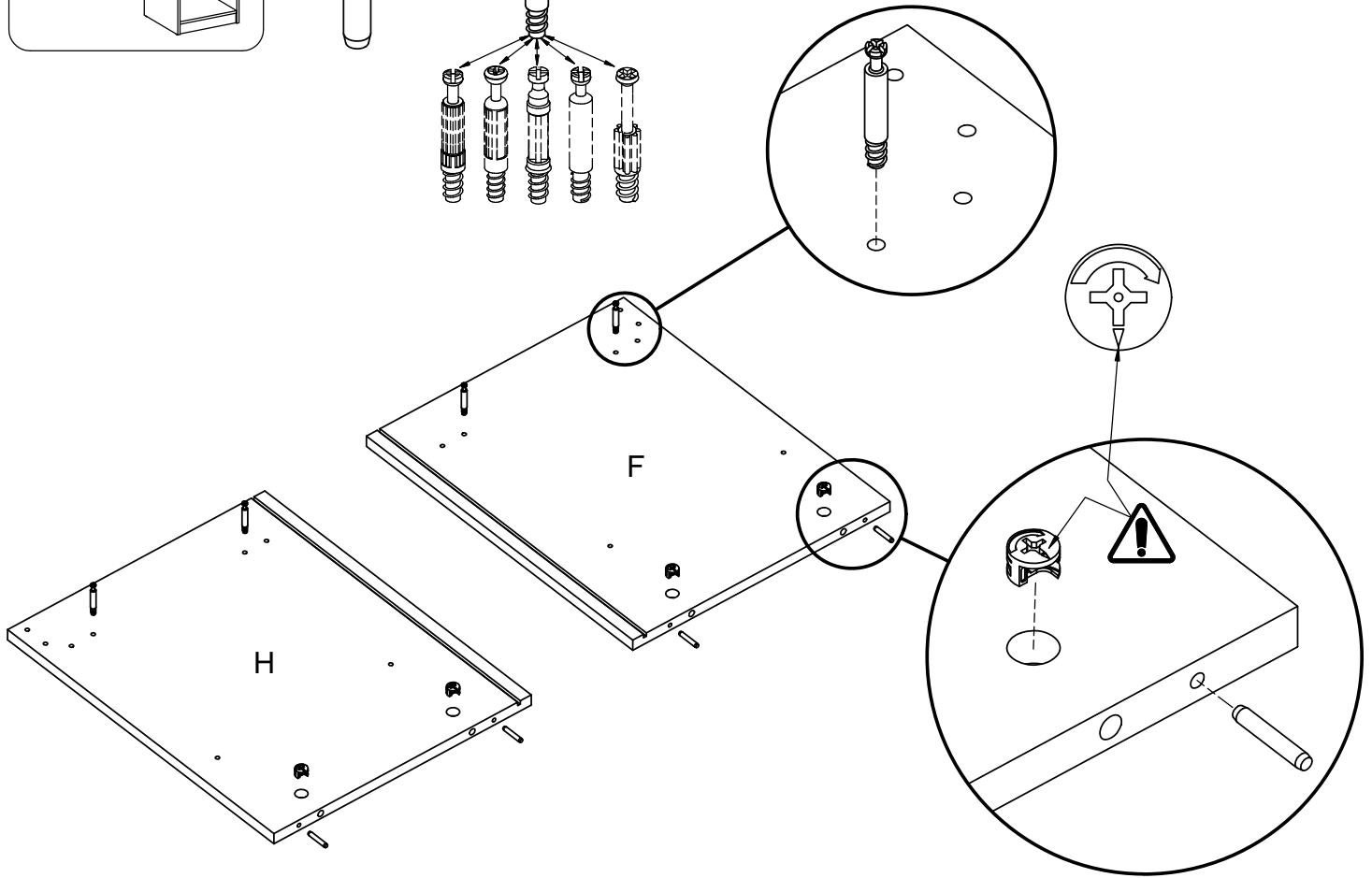
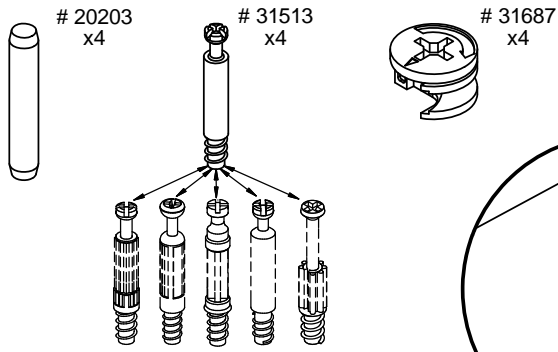
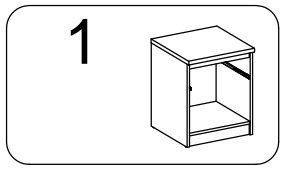
31687  
x8

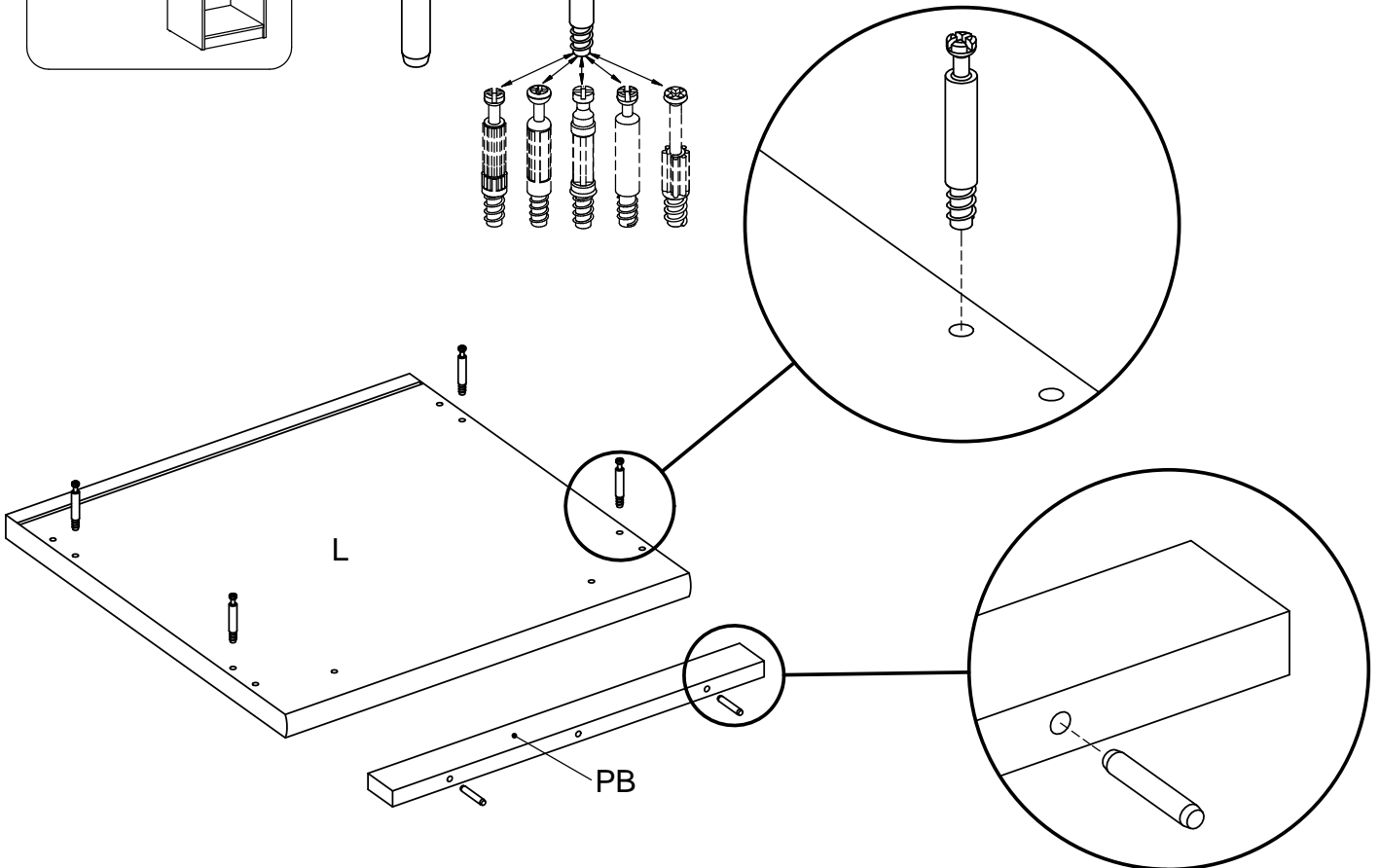
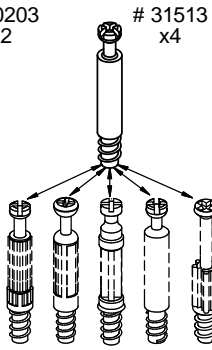
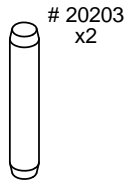
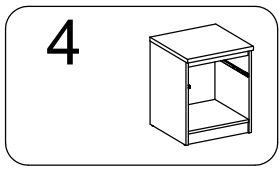
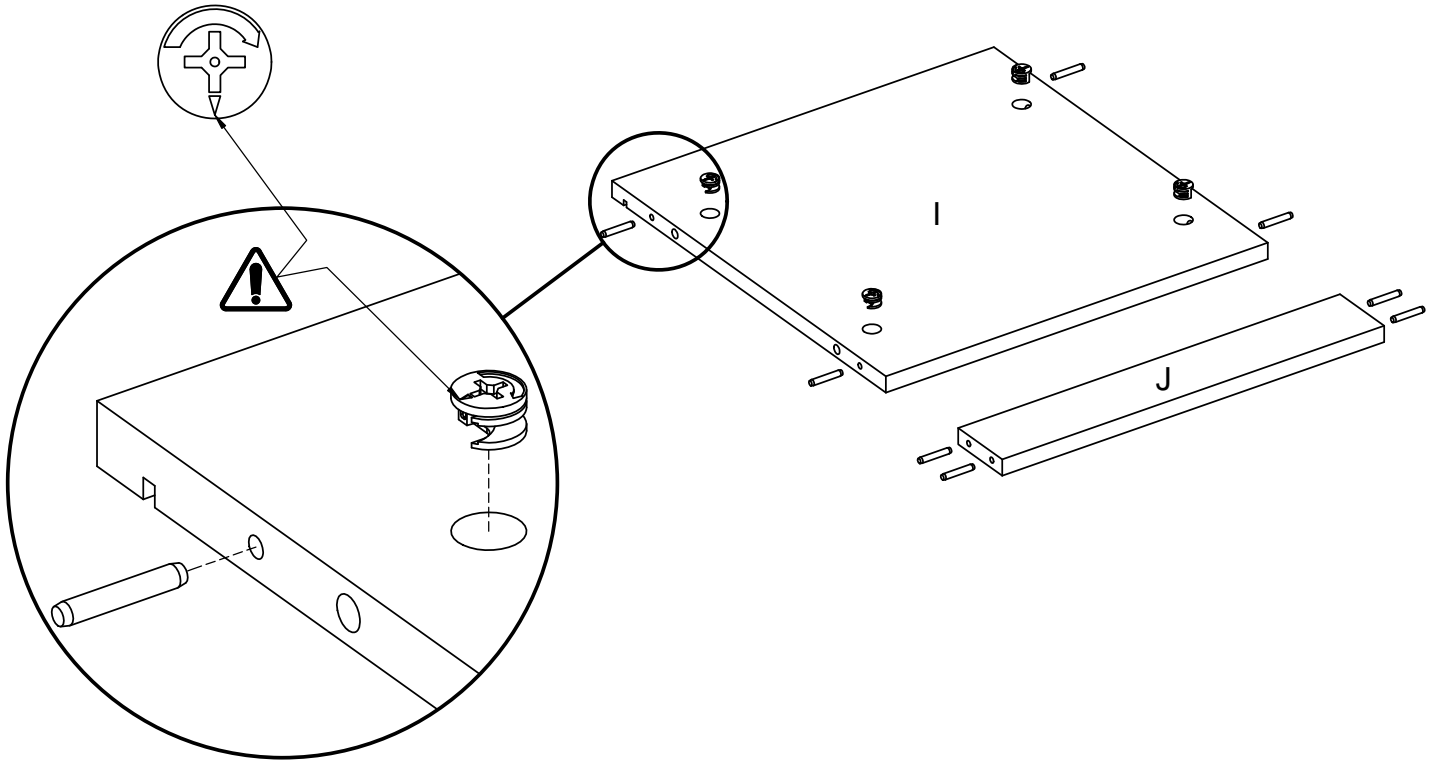
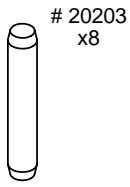
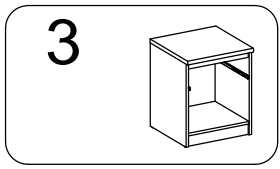


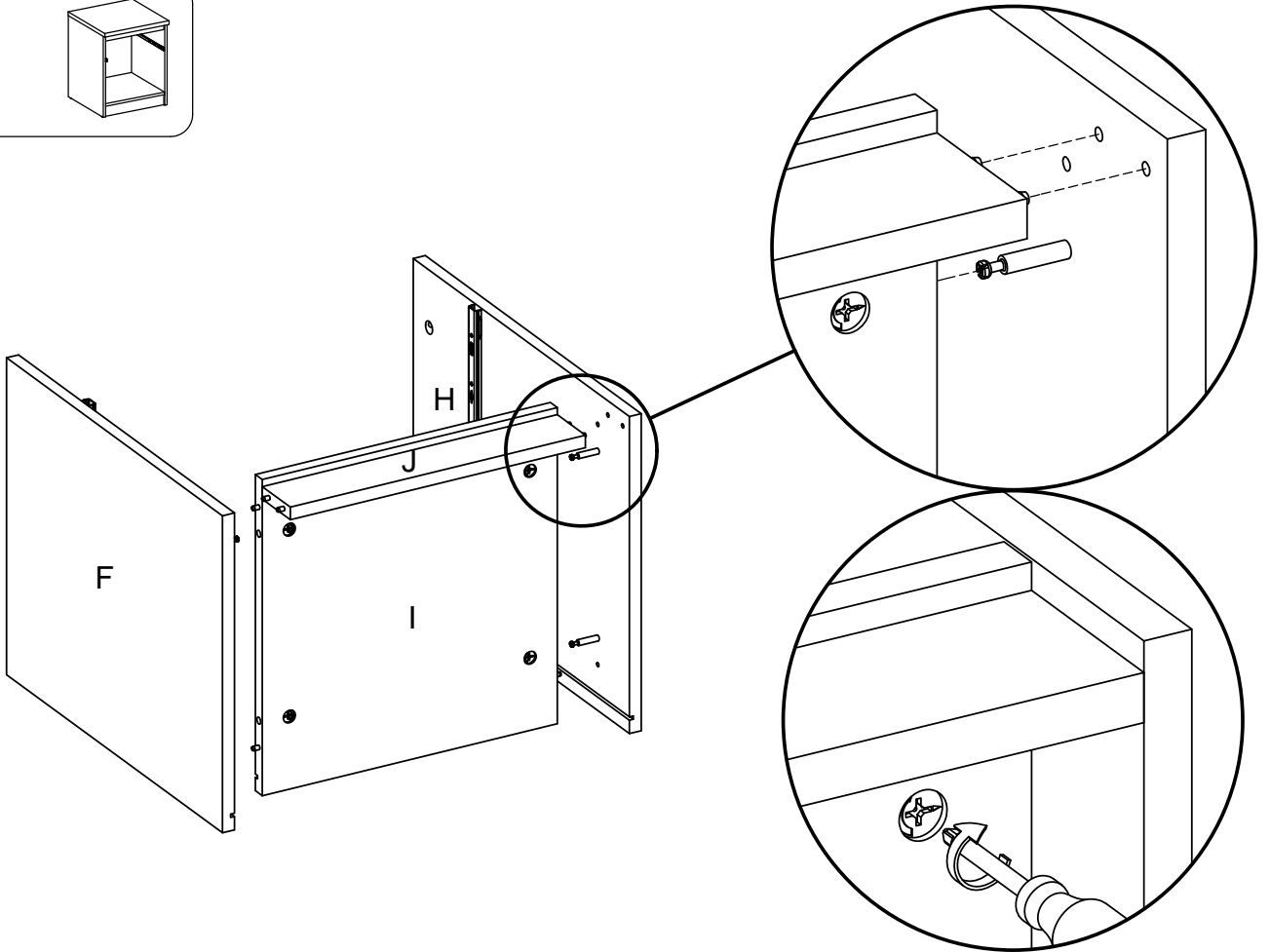
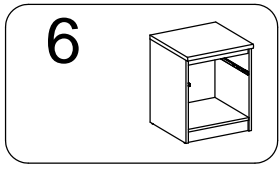
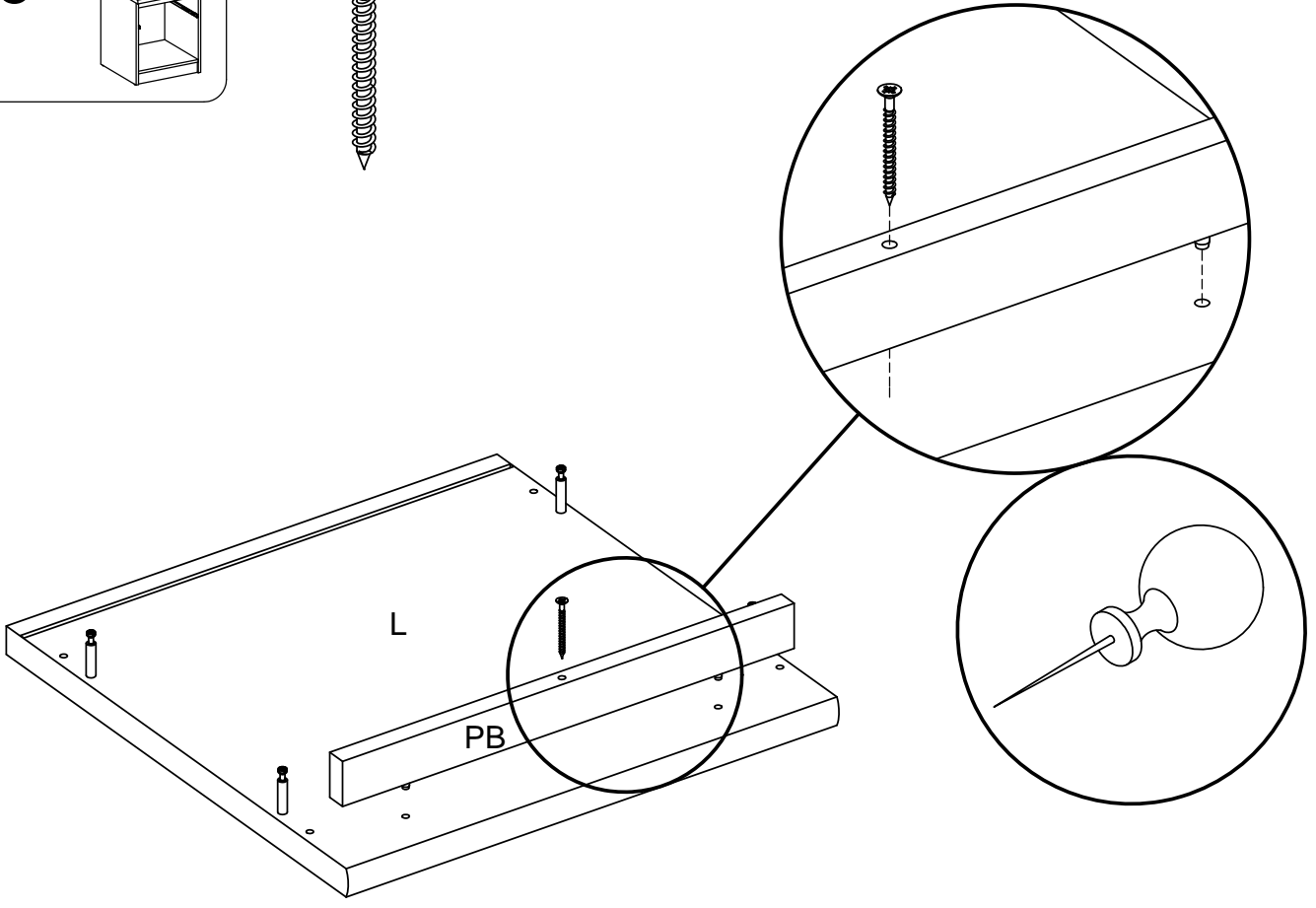
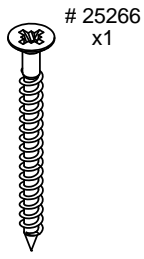
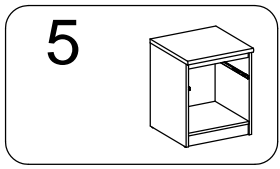
63001  
x4

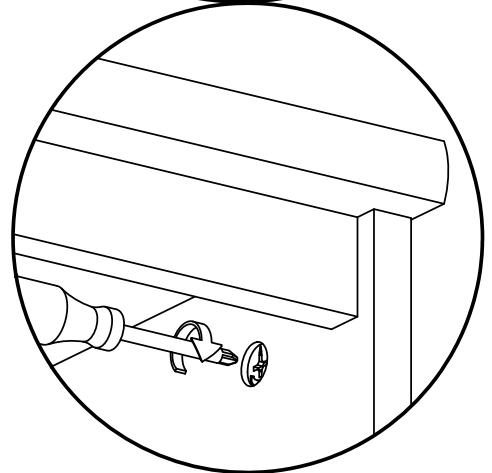
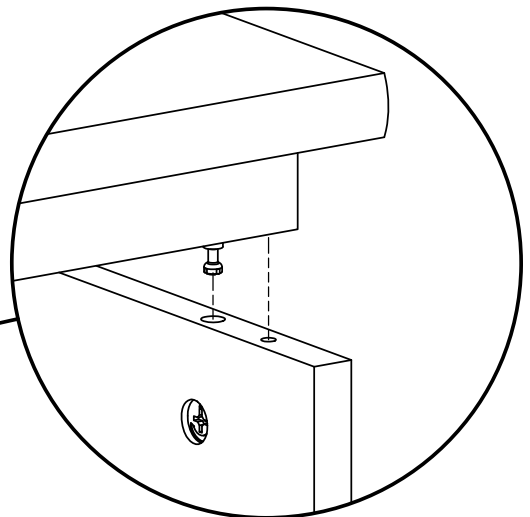
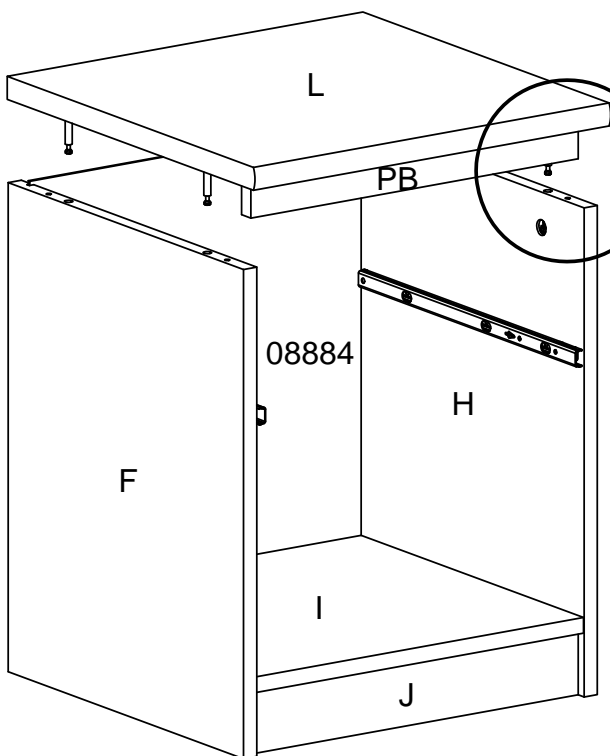
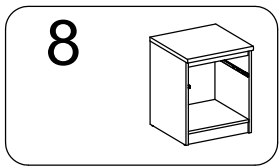
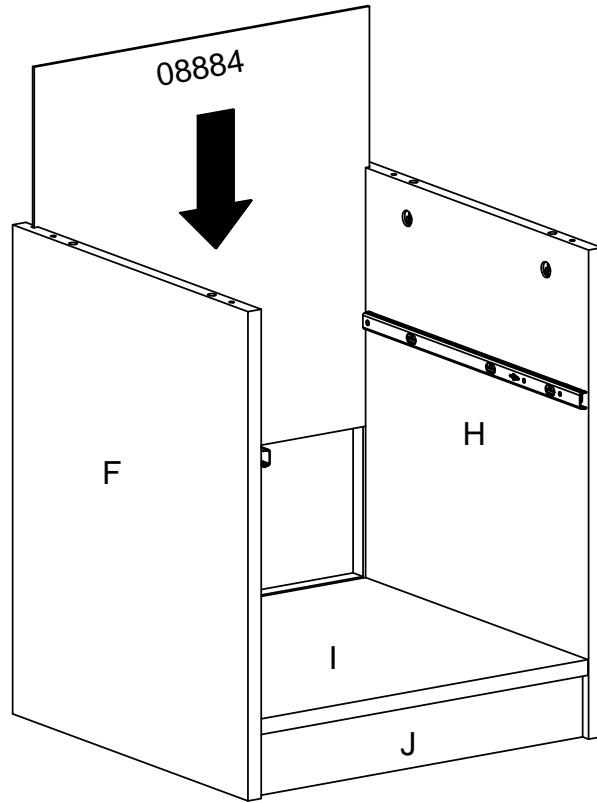
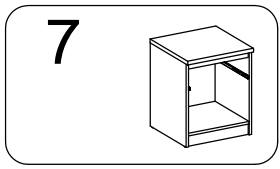


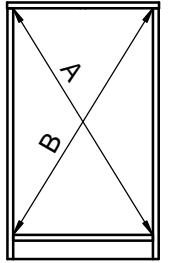
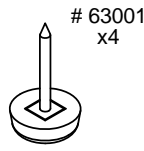
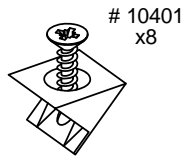
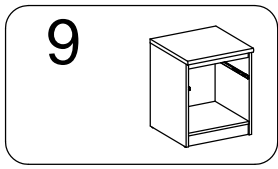




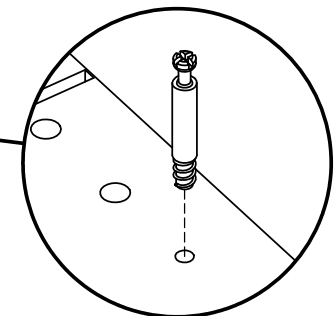
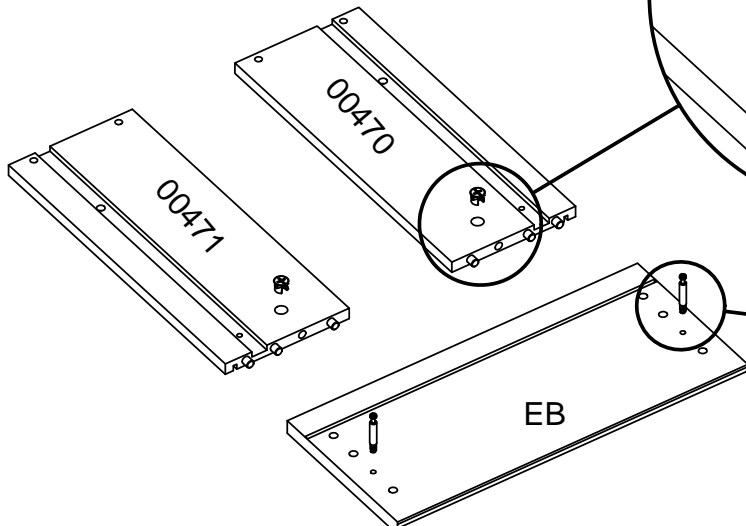
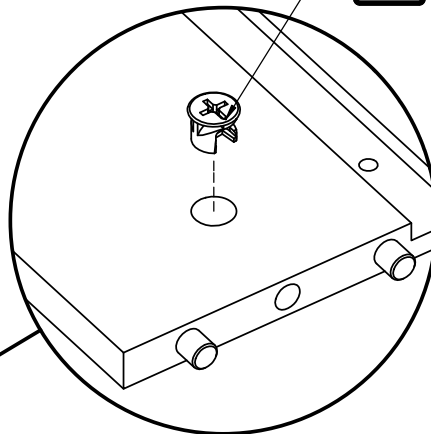
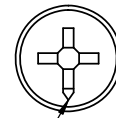
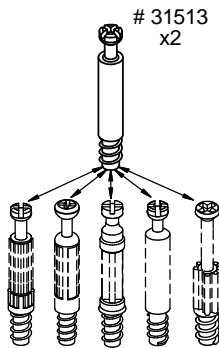
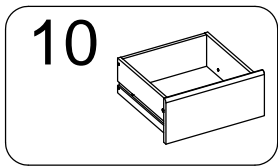
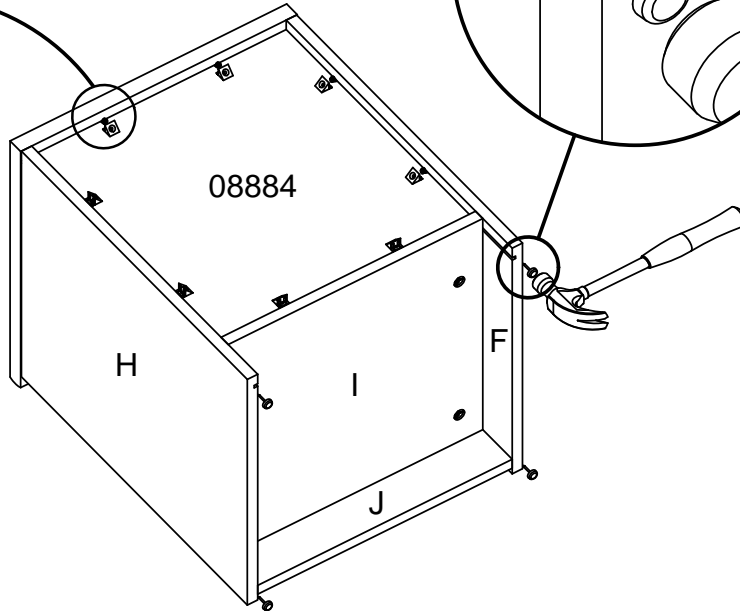
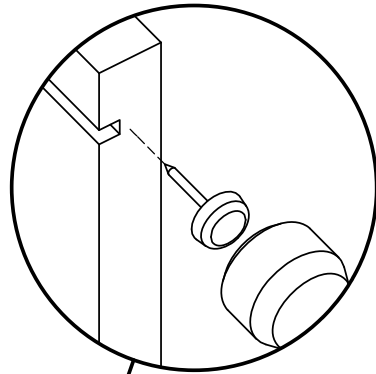
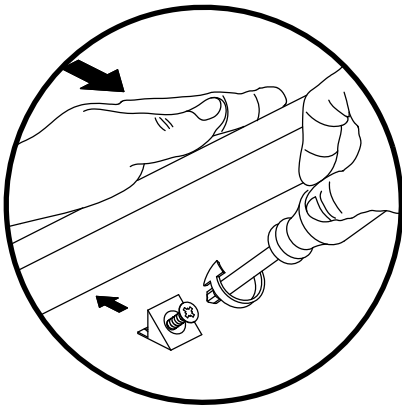
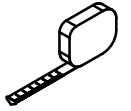




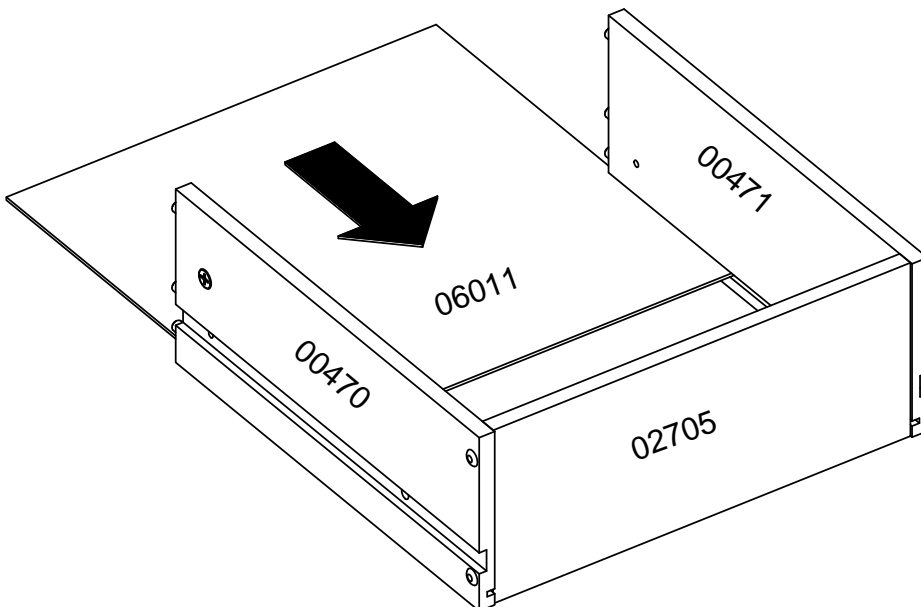
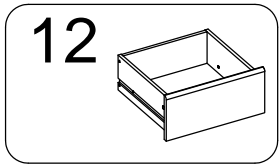
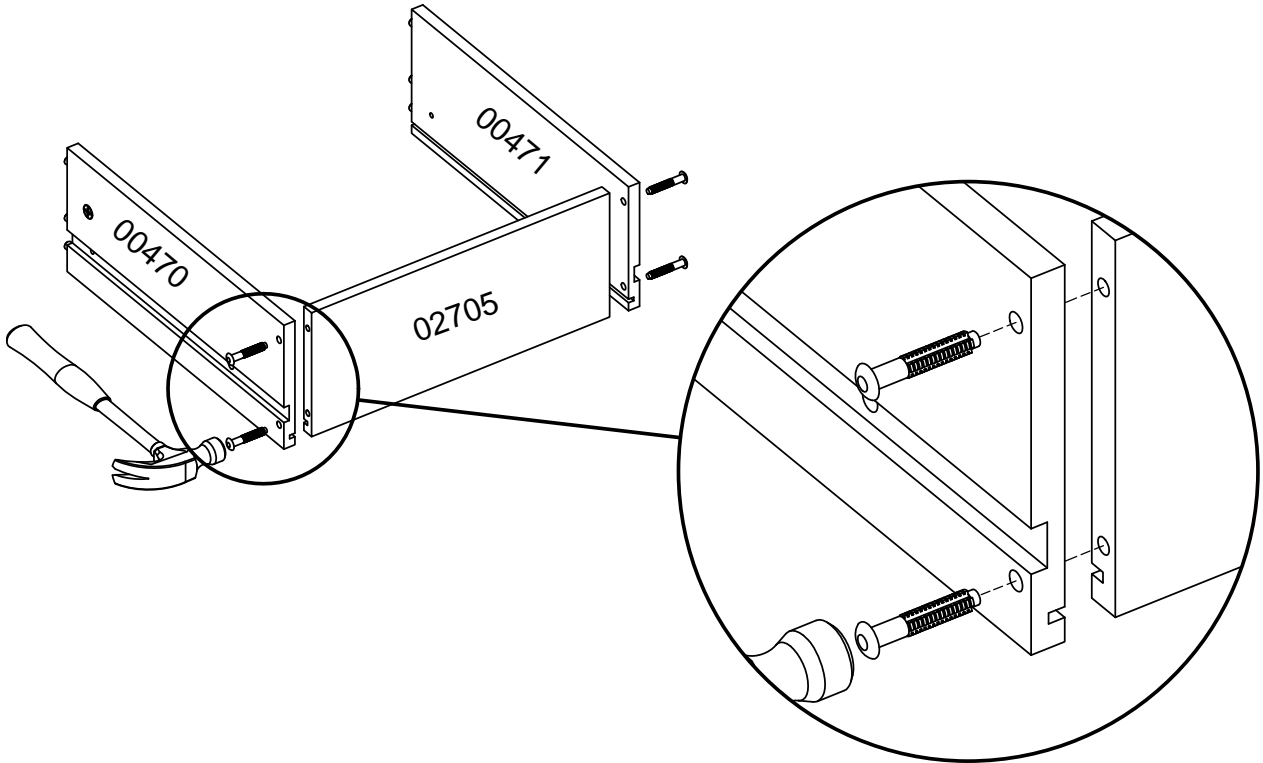
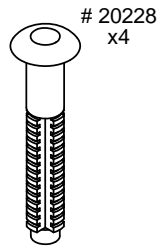
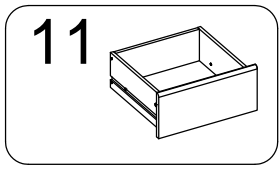




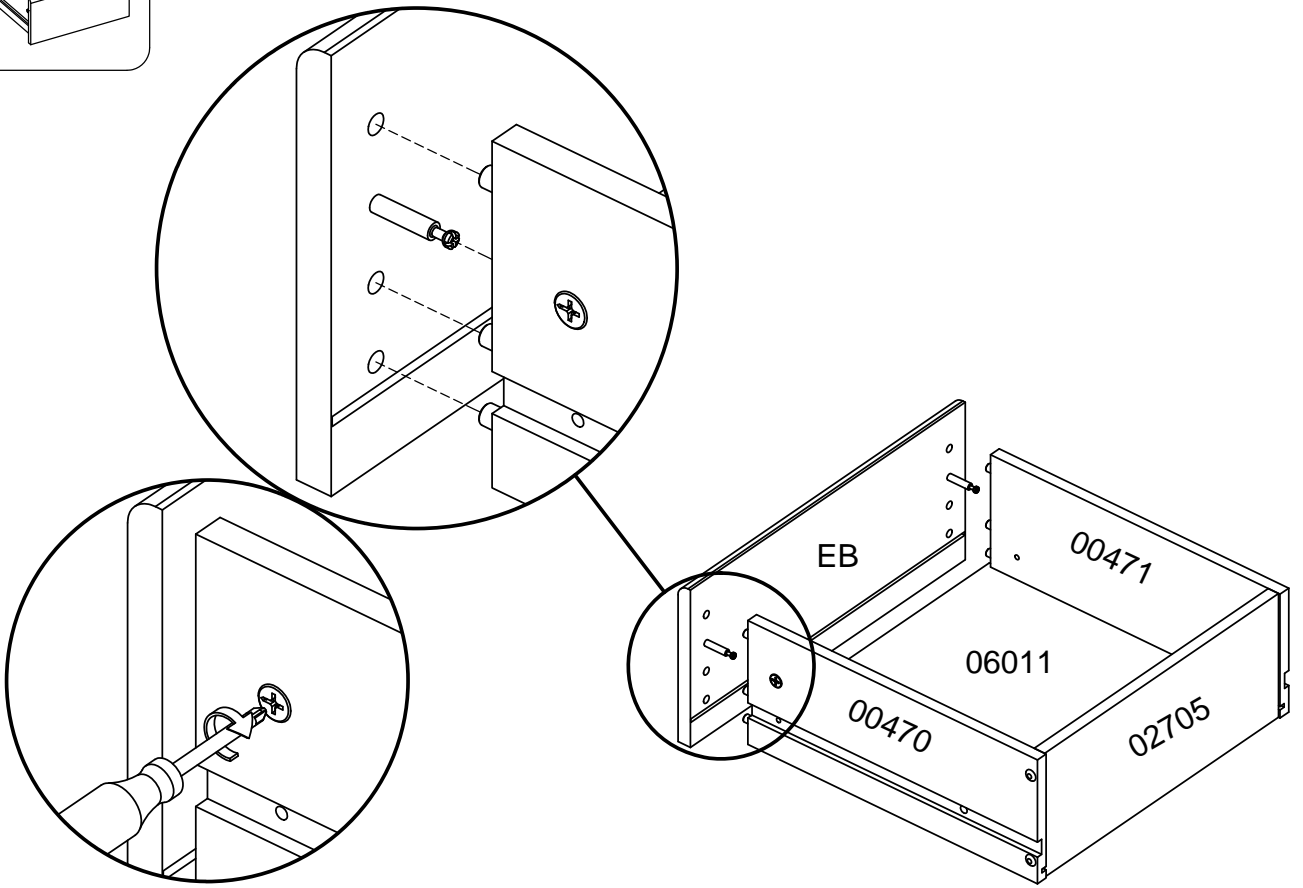
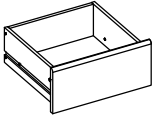
A = B



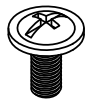
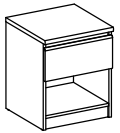




13



14



# 26214  
x2

